

- 1
- 2
- 3
- 4
- 5
- 6
- 7
- 8
- 9
- 10
- 11
- 12
- 13
- 14
- 15
- 16
- 17
- 18
- 19

**VERSIONS**

- Type **KS**: with bearing protection
  - Type **KR**: with no-slip disk
- Stainless steel **NI**
- AISI 303
  - Hexagon nut ISO 4035, Stainless Steel AISI 304

Plastic caps:

**Type KS**

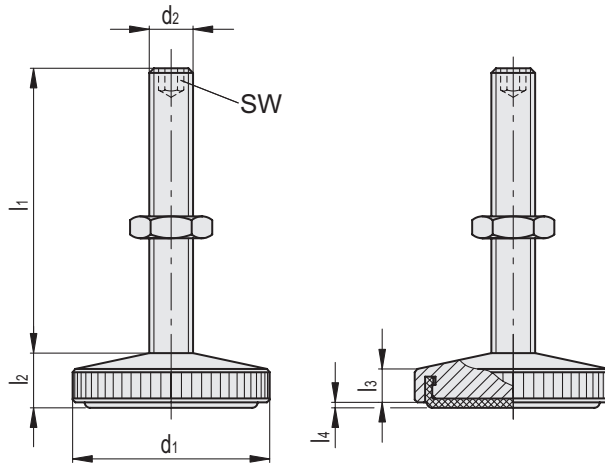
Acetal resin based (POM) technopolymer.  
white (natural colour) RAL 9001

**Type KR**

Thermoplastic elastomer (TPE).  
73 shore A ≈, black

**INFORMATION**

Levelling mount GN 339-NI are used for applications in cases where no jointed link is required between foot and adjusting screw. For this reason they offer the advantage of reduced height. The gliding and/or the non-gliding protective cap is safely fixed in the foot.



**GN 339-KS-NI**

Code	Description	d1	d2	l1	l2	l3	l4	sw	Static load [kN]	⚖️
GN.74653	GN 339-29-M6-30-KS-NI	29	M 6	30	8	5	0.4	3	6	34
GN.74657	GN 339-29-M6-45-KS-NI	29	M 6	45	8	5	0.4	3	6	36
GN.74661	GN 339-29-M8-35-KS-NI	29	M 8	35	8	5	0.4	4	13	38
GN.74665	GN 339-29-M8-55-KS-NI	29	M 8	55	8	5	0.4	4	13	48
GN.74673	GN 339-36-M8-40-KS-NI	36	M 8	40	9	6	0.5	4	13	64
GN.74677	GN 339-36-M8-65-KS-NI	36	M 8	65	9	6	0.5	4	13	72
GN.74681	GN 339-36-M10-45-KS-NI	36	M 10	45	9	6	0.5	5	18	78
GN.74685	GN 339-36-M10-70-KS-NI	36	M 10	70	9	6	0.5	5	18	88

**GN 339-KR-NI**

Code	Description	d1	d2	l1	l2	l3	l4	sw	Static load [kN]	⚖️
GN.74651	GN 339-29-M6-30-KR-NI	29	M 6	30	8	5	0.4	3	6	30
GN.74655	GN 339-29-M6-45-KR-NI	29	M 6	45	8	5	0.4	3	6	32
GN.74659	GN 339-29-M8-35-KR-NI	29	M 8	35	8	5	0.4	4	13	37
GN.74663	GN 339-29-M8-55-KR-NI	29	M 8	55	8	5	0.4	4	13	43
GN.74671	GN 339-36-M8-40-KR-NI	36	M 8	40	9	6	0.5	4	13	56
GN.74675	GN 339-36-M8-65-KR-NI	36	M 8	65	9	6	0.5	4	13	65
GN.74679	GN 339-36-M10-45-KR-NI	36	M 10	45	9	6	0.5	5	18	60
GN.74683	GN 339-36-M10-70-KR-NI	36	M 10	70	9	6	0.5	5	18	80

Levelling feet and supports